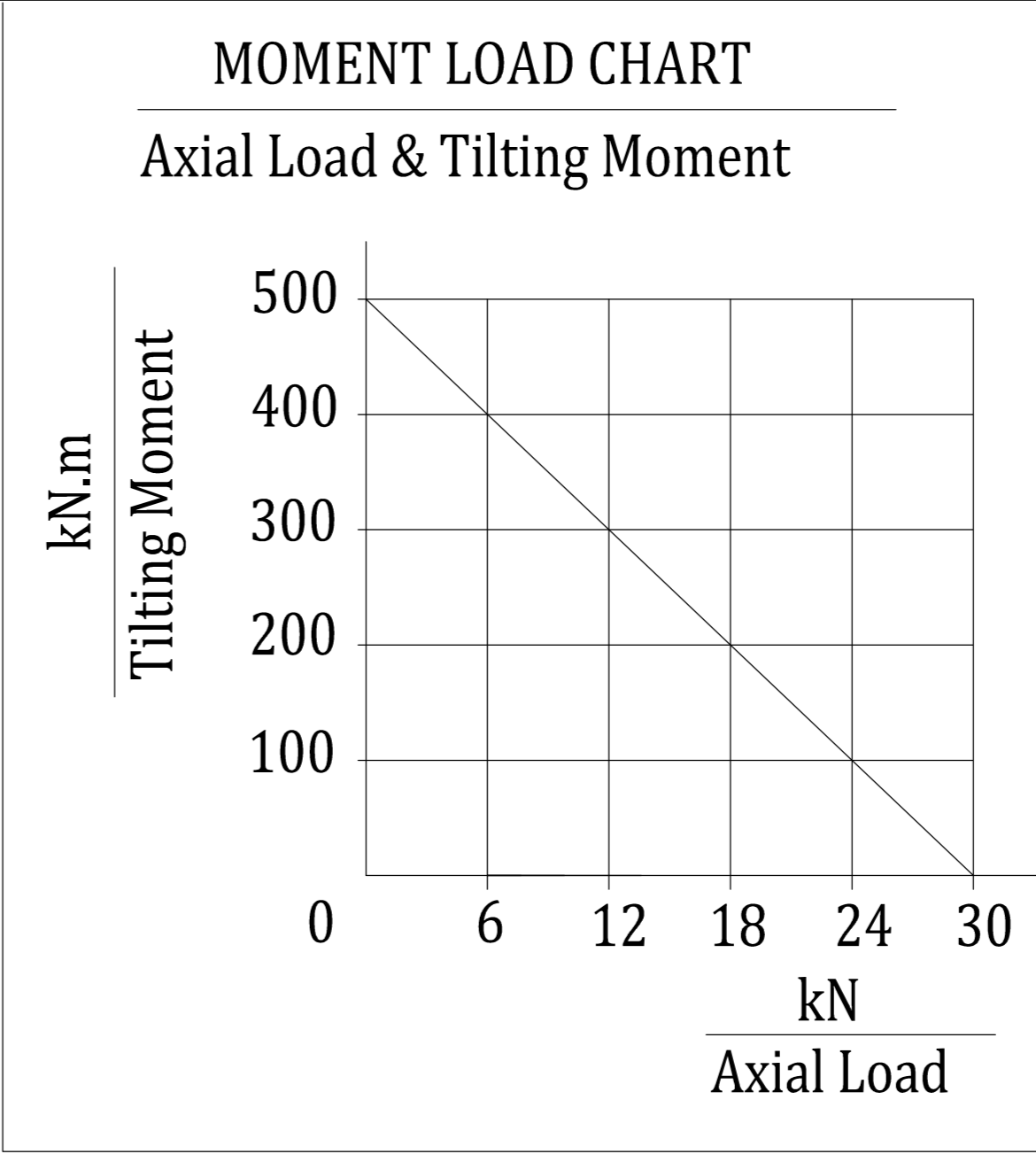


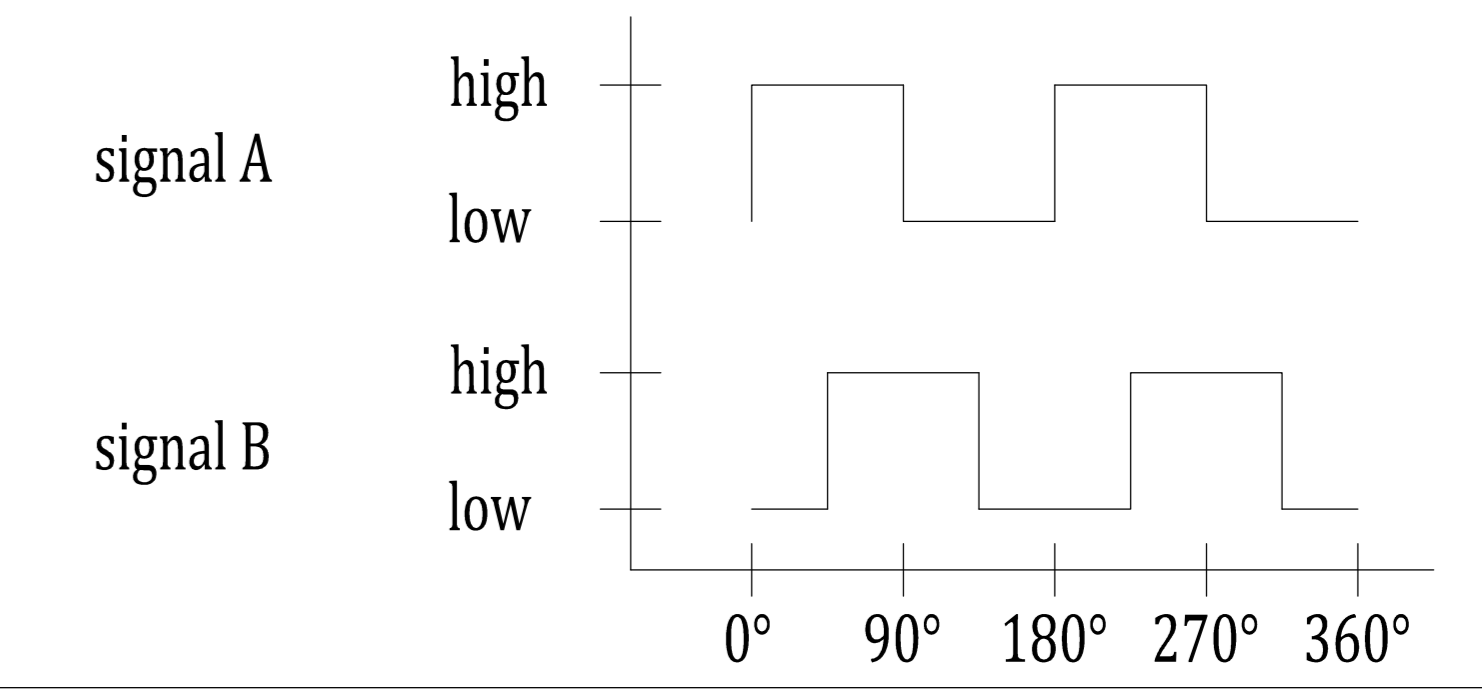
Cable
1m



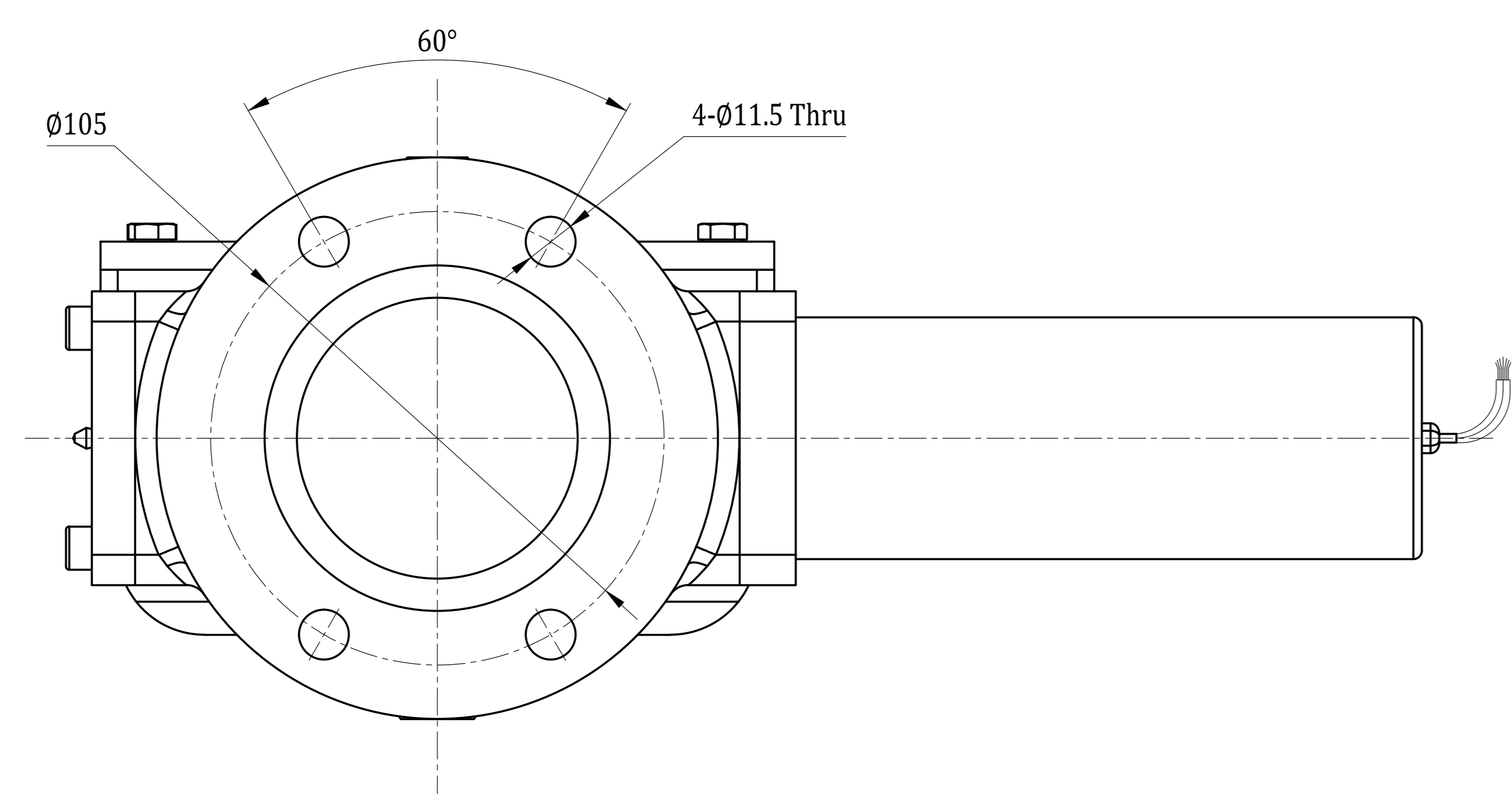
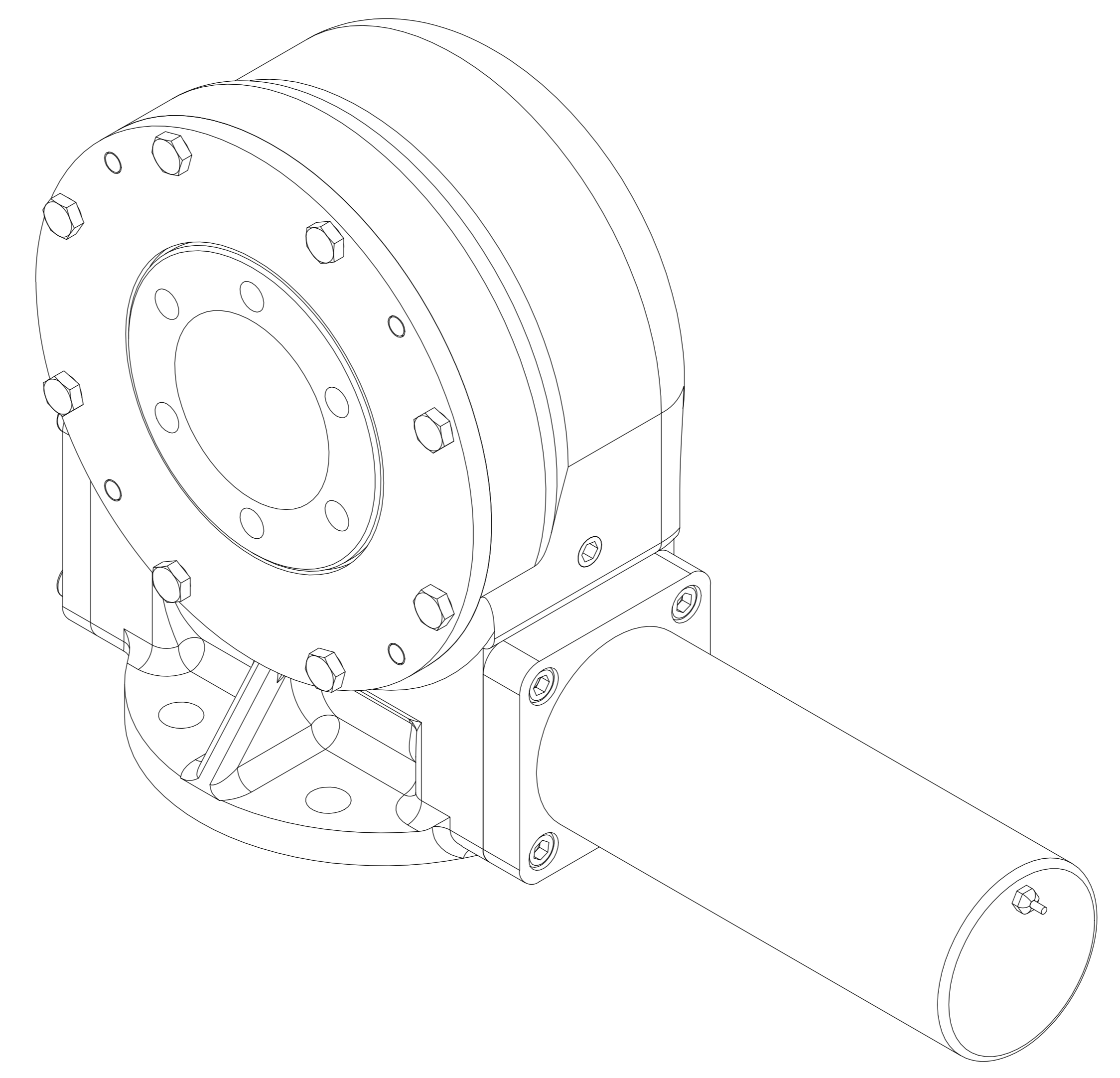
Slewing Drive Performance Parameters		
Rated Output Speed	0.048rpm	
Output Torque	716N.m	528 lbf.ft
Tilting Moment	500 N.m	369 lbf.ft
Holding Torque	2000N.m	1479 lbf.ft
Static Axial Rating	30 kN	6750 lbf
Static Radial Rating	15 kN	3375 lbf
Dynamic Axial Rating	9.6 kN	2160 lbf
Dynamic Radial Rating	8.4 kN	1890 lbf
Gear Ratio	62:1	
Precision	≤0.2°	

24VDC Planetary Reducer Motor Performance Data (24H/30/33)	
Rated Output Torque	33 N.m
Rated Output Speed	3 rpm
IP Class	IP 65
Gear Ratio	575:1
Rated Current	<1.9 A

MAGNETIC PULSE GENERATOR DATA		
Output type	-	voltage output
pull-up resistor	-	yes
Output signal	-	2 square wave signals
Phase quadrature	-	90 °
Impulses per revolution	ppr	2,channels A and B
Operating voltage	VDC	DC5-24
Operating current	mA	max. 12
Deviation of pulse width	-	max. 15 °
Deviation of phase shift	-	max. 15 °
Output voltage(low level)	VDC	max. 0.4 (20mA)
SIGNAL RISE TIME	ns	85
SIGNAL DECAY TIME	ns	60
Operation temperature	°C	-40 - +85



Wire Define:
 Pin 1 (black) motor -
 Pin 2 (red) motor +
 Pin 3 (black thin) hall -
 Pin 4 (red thin) hall +
 Pin 5 (green) hall A
 Pin 6 (yellow) hall B
 Pin E (yellow green) GND



REV	DATE	REVISER	REVISER		
DESIGNED BY	2019/8/1	Li Ming	www.coresundrive.com Coresun Drive Equipment Changzhou Co., Ltd.		
CHECKED BY	2019/8/1	Rui Wang			
APPROVED BY	2019/8/1	Shane Zhang			
<small>ALL PROPRIETARY RIGHTS IN THE SUBJECT MATTER HERE OF ARE RESERVED, AND NO PERMISSION IS GRANTED OR TO DISCLOSE REPRODUCE THIS PRINT IN WHOLE OR IN PART, ANY OF THE INFORMATION TO OTHERS.</small>			WEIGHT	SCALE	<h2>Slewing Drive</h2>
			30 kg	1 : 3	
			SIZE	A3	
SYMBOLS ISO			SHEET	1 / 1	VH3-62B-RC-24H3033
					REV A